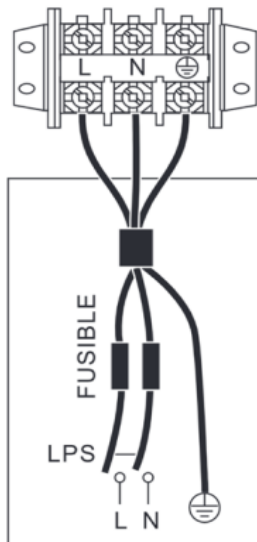
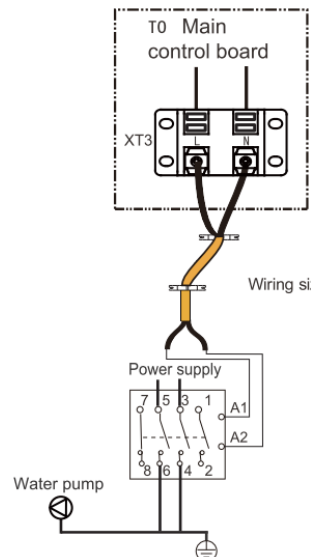


Model		KS WP-120 DR8	KS WP-160 DR8	KS WP-200 DR8
Volumi Piscina Consigliati (A+15°C, W+28°C) m3		< 60	< 80	< 100
Riscald. (A27/HR80%, W28°C)	Potenza di Riscald. (Mode Boost)	12,5 (14,5) kW	16,00 (18,70) kW	18,80 (21,80) kW
	Potenza Assorbita (Mode Boost)	1,79 (2,28) kW	2,67 (3,67) kW	3,62 (4,95) kW
	COP (Mode Boost)	7,00 (6,35)	6,00 (5,10)	5,20 (4,40)
Riscald. (A15/HR70%, W28°C)	Potenza di Riscald. capacity (Mode Boost)	9,12 (10,5) kW	12,80 (15,00) kW	14,50 (17,00) kW
	Potenza Assorbita (Mode Boost)	1,81 (2,28) kW	2,84 (3,95) kW	3,45 (4,72) kW
	COP (Mode Boost)	5,05 (4,60)	4,50 (3,80)	4,20 (3,60)
Raffredd. (A35, W28°C)	Potenza di Raffreddamento	7 kW	7,8 kW	8,6 kW
	Potenza Assorbita	1,75 kW	2,6 kW	3,31 kW
	EER	4	3	2,6
Pressione Sonora	Riscald. (A27/HR80%, W28°C)/Silent mode	49 / 38 dB(A)	50 / 39 dB(A)	54 / 40 dB(A)
	Cooling (A35, W28°C) / Silent mode	48 / 40 dB(A)	51 / 42 dB(A)	52 / 43 dB(A)
General data	Coolant	R32		
	Refrigerant precharge	0,75 kg	0,78 kg	0,78 kg
	Feeding V-/Hz	220-240 / 1 / 50		
	Maximum current	12 A	18 A	23 A
Water side	Hydraulic connections	DN50 PVC mm	DN50 PVC mm	DN50 PVC mm
	Nominal water flow rate	5,4 m3/h	6,9 m3/h	8,3 m3/h
	Nominal DT	2 °C	2 °C	2 °C
	Heat exchanger pressure drop	13,8 kPa	23 kPa	33 kPa
Range of operation	Ambient Temp.	-7 ~ +43 °C		
	Water temp. min. cooling / max. heating	+10 ~ +42 °C		

WIRING DIAGRAM



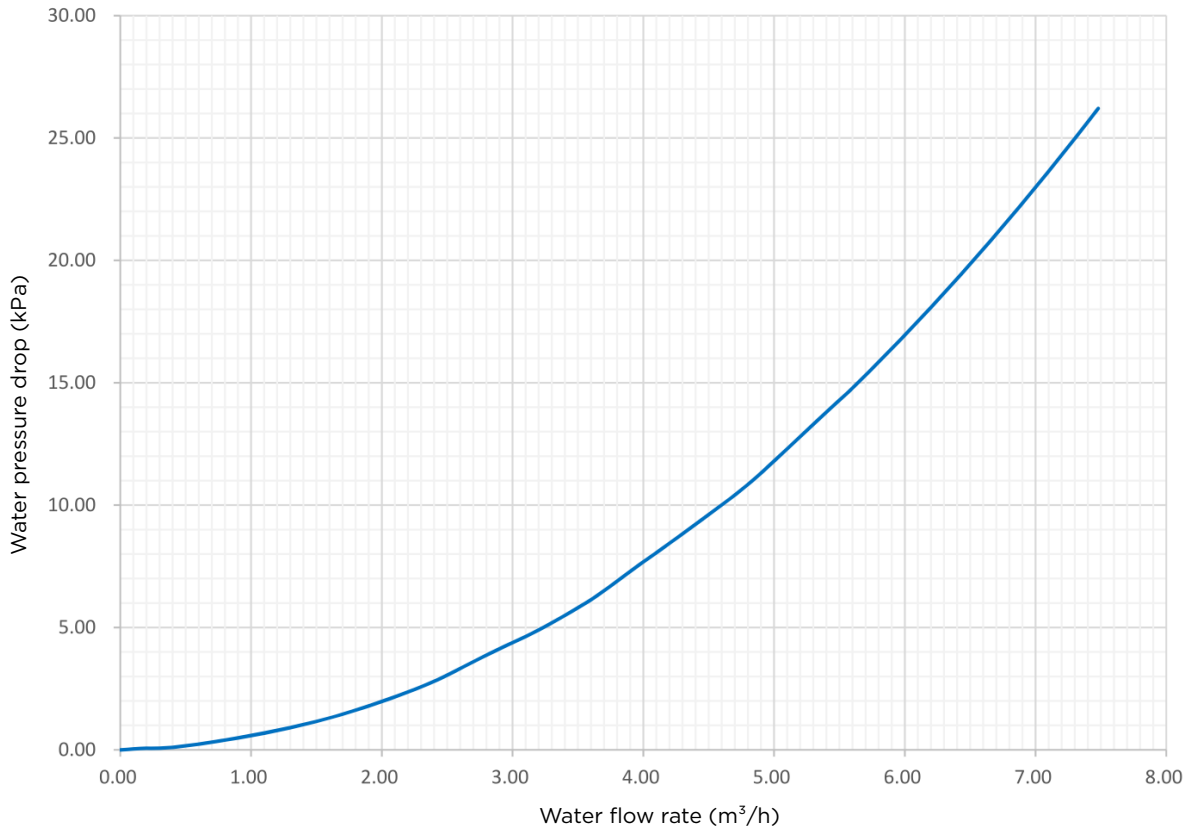
Power supply



Remote pump

Wiring si.

TITANIUM EXCHANGER PRESSURE DROP



DIMENSIONS & WEIGHT OF INDOOR UNIT

Model	Weight	W	H	D
KSWP-70 DR8	46 kg	988 mm	426 mm	712 mm
KSWP-90 DR8	46 kg	988 mm	426 mm	712 mm
KSWP-120 DR8	50 kg	988 mm	426 mm	712 mm
KSWP-160 DR8	53 kg	988 mm	426 mm	712 mm
KSWP-200 DR8	53 kg	988 mm	426 mm	712 mm

